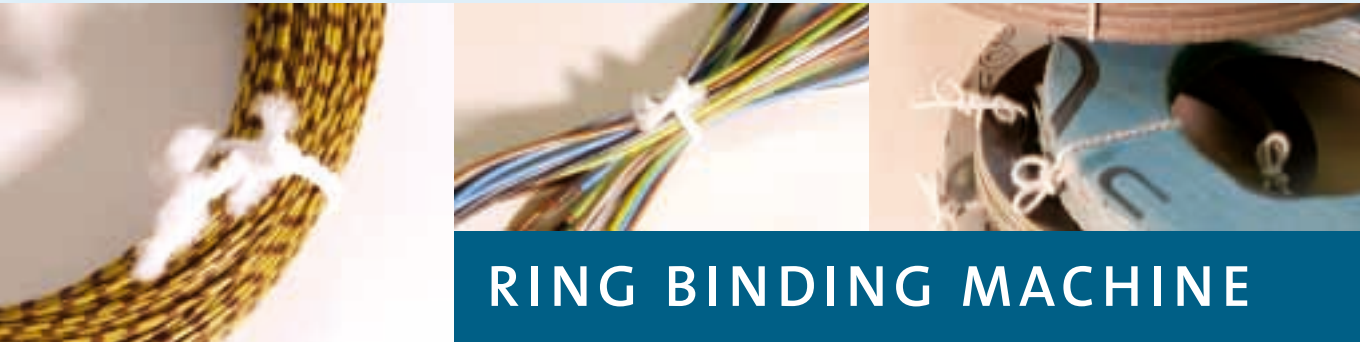


The tying machine for all kinds of coiled bundles with vertical needle direction. The versatility of our Twine Tyers is almost unlimited:

cables - V-belts - gaskets - bicycle tires - all kinds of hoses and tubes.



RING BINDING MACHINE





RING-BINDING MACHINE

TECHNICAL DETAILS AND SPECIFICATION

Tying speed

up to 40 cycles p. min.

Net weight

210 Kg

Product diameter

max. 1100 mm outside

min. 100 mm inside

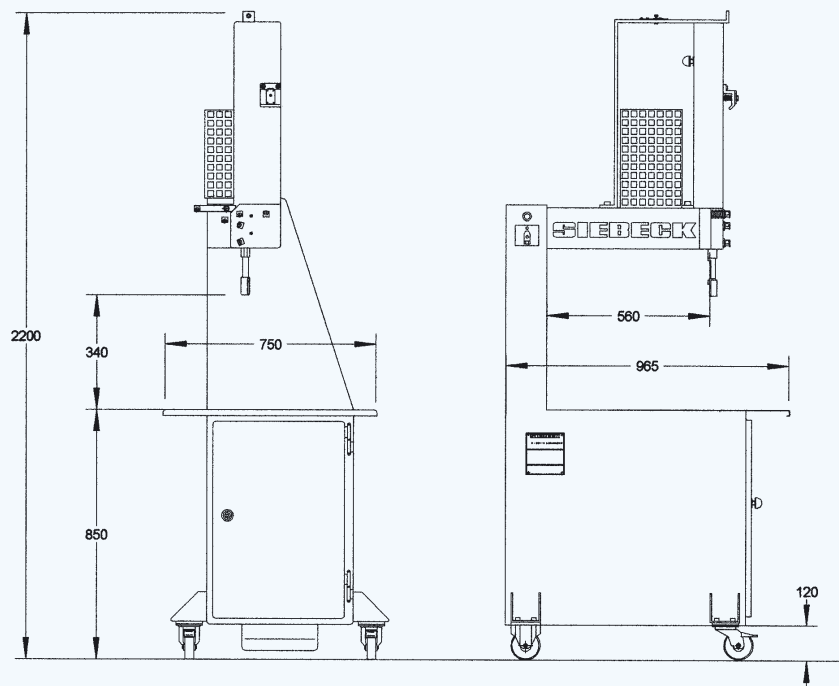
Product height

max. 340 mm

Power supply

230/400 Volt, 3 Phase,

+PE, 50 Hz, 1 kW



All measurements in mm, specification are subject to change without notice