

SIEBECK -Tying Machines

Superior Equipment for the Meat Industry

MKIII RANGE



SIEBECK
VERPACKUNGSMASCHINEN

Table-Top Tyer

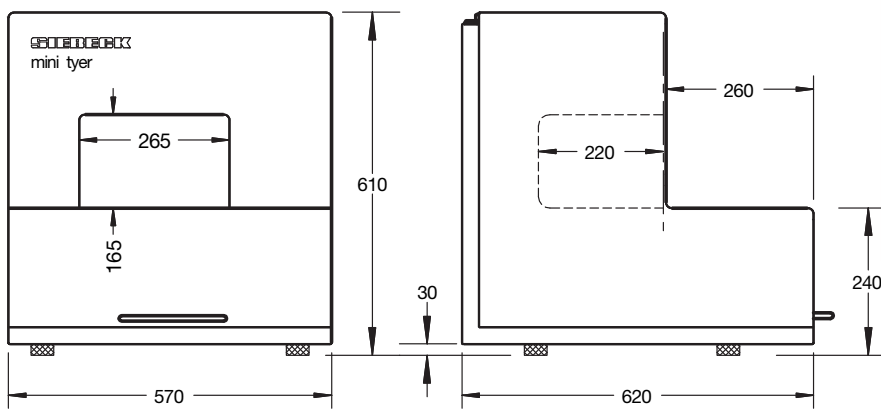
Specifically designed for retail use, the FRS Mini Tyer is the perfect machine for super markets, butcher shops and all retail outlets. Reduced size and smaller price do not however mean compromised performance.

Standard Features include:

- PLC controller
- Low noise reliable electronic motors
- Up to 37 strings/min
- Selector switch for 1,2,3 and cross tying
- Works with polycotton or elastic roasting twines
- Fully Stainless-Steel construction



Machine dimensions



Specifications

Connected load:
230 V, AC, 50/60 Hz
0,3 kW

Sound pressure level:
70 B (A) +/- 1

Weight:
80 kg

SIEBECK
VERPACKUNGSMASCHINEN

FRS
MINI TYER

Tying Machine with Side Knotting Unit

A model derived from the well proven FRT series but engineered to overcome the specific problems of harsh environments, e.g. cured, marinated or coated meat cuts. Any debris, liquids or residues drop directly in to the collection tray thus eliminating contamination or corrosion of the knotting unit.

Standard Features include:

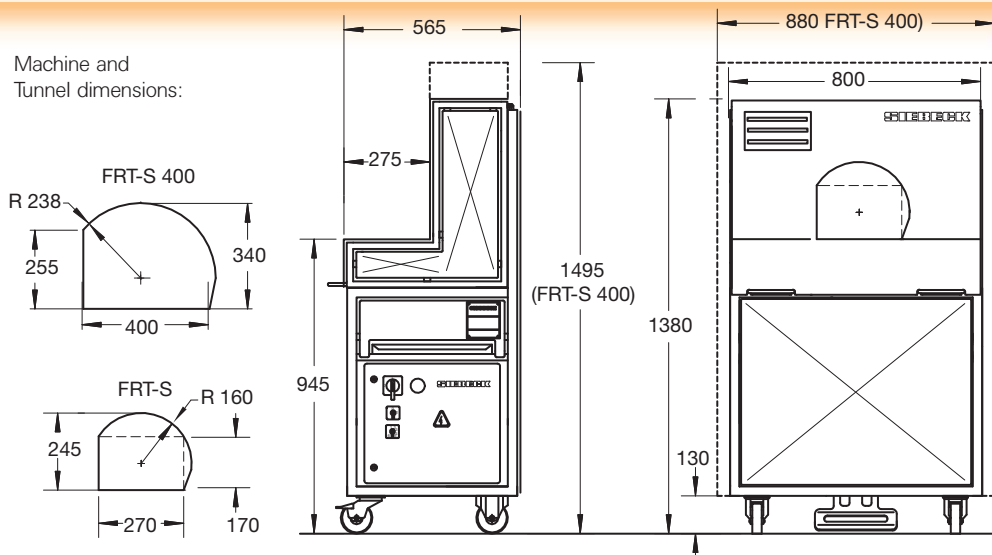
- Wear-free AC Servomotors
- Automatic reset of knotting unit and ring
- Smart Motion Controller with LED displays
- Up to 63 strings/min
- Selector switch for 1, 2, 3, 4, cross- and continuous tying
- Larger bobbin reduces downtime for twine changeovers
- Interlocked removable catch tray prevents deposits, residues or product
 - scraps soiling the floor or the inside of the machine



FRT-S
FRT-S 400



Machine and Tunnel dimensions:



Specifications

Connected load:
170 - 260 V, AC, 50/60 Hz
1,3 kW

Sound pressure level:
72 dB (A) +/- 1

Weight:
FRT-S: 160 kg
FRT-S 400: 165 kg

SIEBECK
VERPACKUNGSMASCHINEN

Tying Machines Series M

This range of machines combines high performance with excellent reliability to offer maximum productivity. Processing plants are able to yield quality products in less time, with fewer operators and at lower cost.

Standard Features include:

- Wear-free AC Servomotors
- Automatic reset of knotting unit and ring
- Smart Motion Controller with LED displays
- Up to 63 strings/min
- Selector switch for 1, 2, 3, 4, cross- and continuous tying
- Larger bobbin reduces downtime for twine changeovers
- Interlocked removable catch tray prevents deposits, residues or product
 - scraps soiling the floor or the inside of the machine



FRT-M
FRT-MF
FRT-MF 400



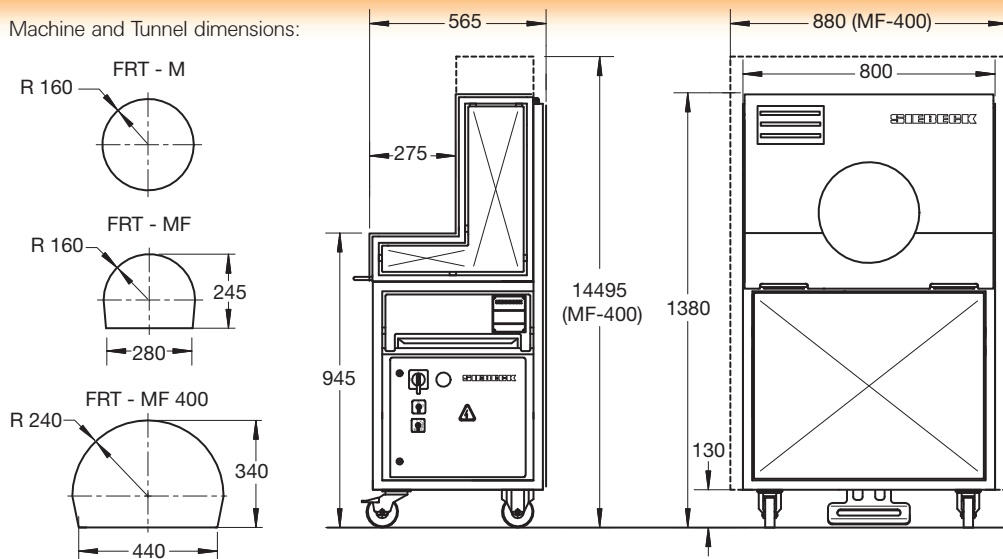
FRT-M
Round table

FRT-MF
Flat table

FRT-MF 400
Large tunnel



Machine and Tunnel dimensions:



Specifications

Connected load:
170 - 260 V, AC, 50/60 Hz
1,3 kW

Sound pressure level:
72 dB (A) +/- 1

Weight:
FRT-M, FRT-MF: 160 kg
FRT-MF 400: 165 kg

SIEBECK
VERPACKUNGSMASCHINEN

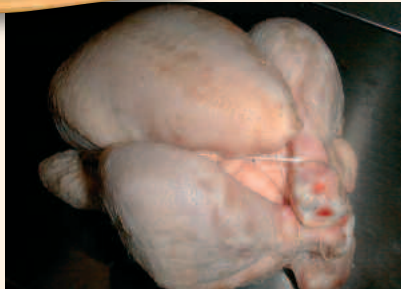
Chicken Trussing Machine

FRT-MF

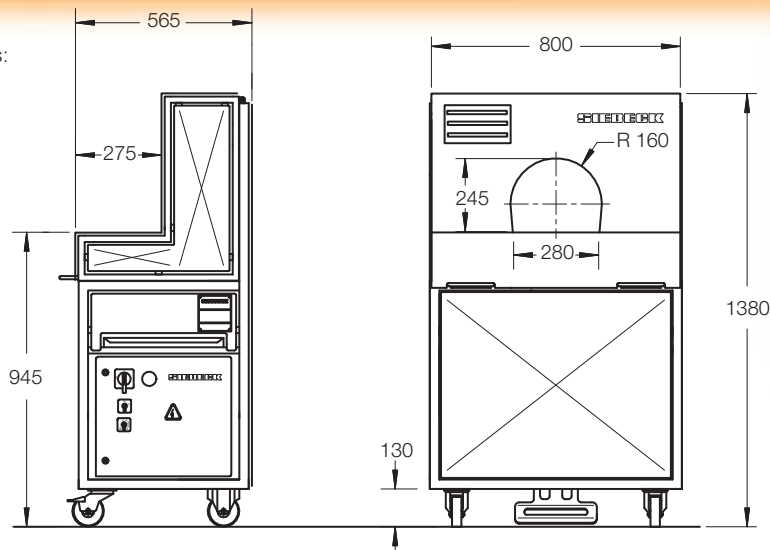
Improved ergonomics reduce operator back and arm strain and wrist problems resulting in higher productivity. The Siebeck trussing system can be used for a wide variety of presentation options to suit national preferences. Whichever method you choose the chicken legs will be held together to give the finished bird a natural, symmetric plumb-breasted appearance.

Standard Features include:

- Wear-free AC Servomotors
- Automatic reset of knotting unit and ring
- Smart Motion Controller with LED displays
- Up to 63 strings/min
- Selector switch for 1, 2, 3, 4, cross- and continuous tying
- Larger bobbin reduces downtime for twine changeovers
- Interlocked removable catch tray prevents deposits, residues or product
 - scraps soiling the floor or the inside of the machine



Machine and Tunnel dimensions:



Specifications

Connected load:
170 - 260 V, AC, 50/60 Hz
1,3 kW
Sound pressure level:
72 dB (A) +/- 1
Weight:
FRT-MF: 160 kg

SIEBECK
VERPACKUNGSMASCHINEN

Fully Automatic Tying Machine

Standard Features include:

- Non-slip infeed and outfeed conveyors
- Pneumatic grippers for optimum product control
- Vertical side belts to form and hold product
- Interlocked removable catch tray prevents deposits, residues or product -scraps soiling the floor or the inside of the machine
- Tool free belt removal/replacement
- Non-contact product sensors
- Wear-free AC Servomotors
- Automatic reset of knotting unit and ring
- Smart Motion Controller with LED displays
- Up to 60 strings/min
- Selector switch for single, double and triple tying
- Variable belt speed up to 20 mtr/min
- Also available with side knotting unit

Infeed conveyor

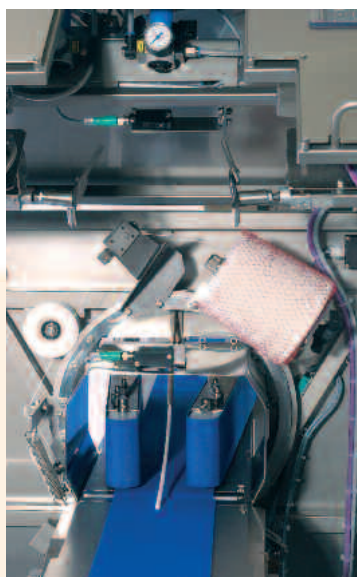


Tool free belt removal/replacement

- Encapsulated display module shows:



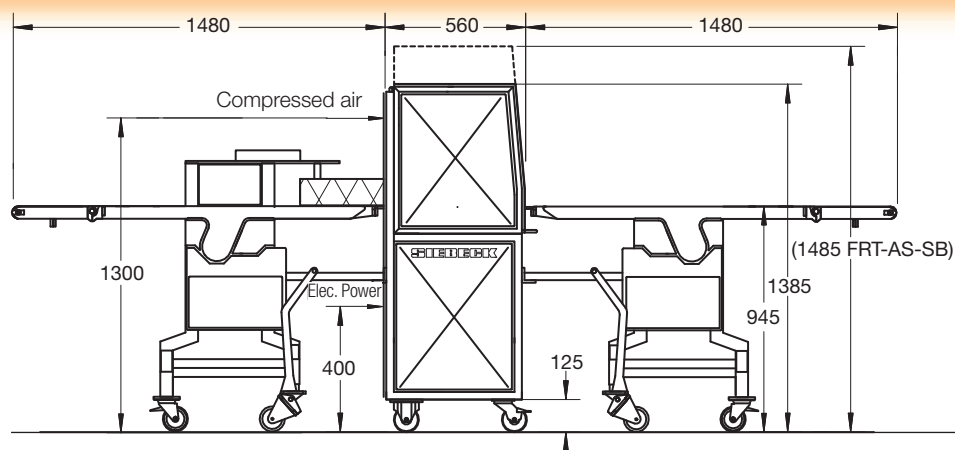
Number of strings
Desired twine spacing
Belt speed
Self diagnostic error messages
Two level resettable cycle counter



Infeed and outfeed conveyor
Pneumatic grippers
Vertical side belts
Product sensors

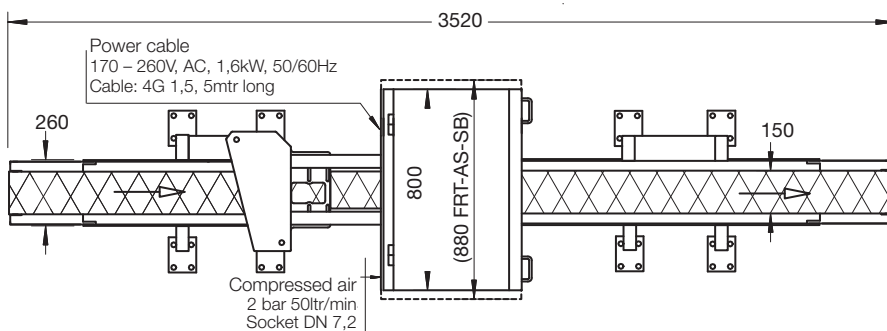


Machine dimensions:



The FRT-A machine offers virtually hands free operation. With amazing speed and consistency, this fully automatic machine is able to transform cuts of meat into attractive case-ready products. Its ease of operation and versatility allows adjustable spacing, number of ties, belt speed along with other features to suit your tying preferences.

FRT-A-SB FRT-AS-SB



Specifications

Connected load:
170 - 260 V, AC, 50/60 Hz
1,6 kW

Sound pressure level:
72 dB (A) +/- 2

Compressed air
50 ltr/min, 2 bar

Weight:
340 Kg



SIEBECK

VERPACKUNGSMASCHINEN

SIEBECK GmbH
Postfach 1145
D-69412 Eberbach
Telefon: +49 (0) 6271 9208-0
Telefax: +49 (0) 6271 920888
e-mail: info@siebeck.de
www.siebeck.de